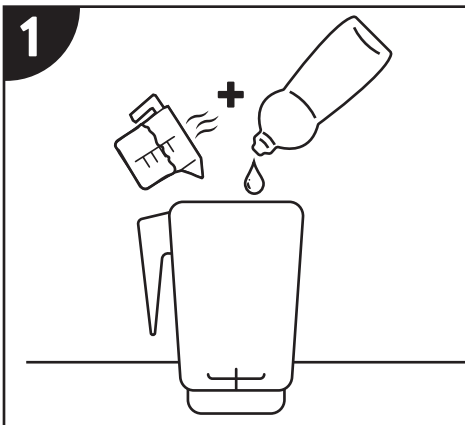
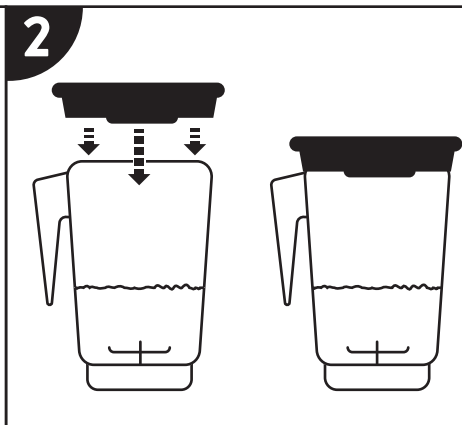


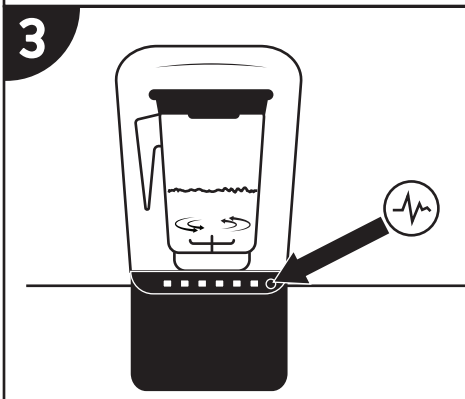
# END OF SHIFT CLEANING INSTRUCTIONS



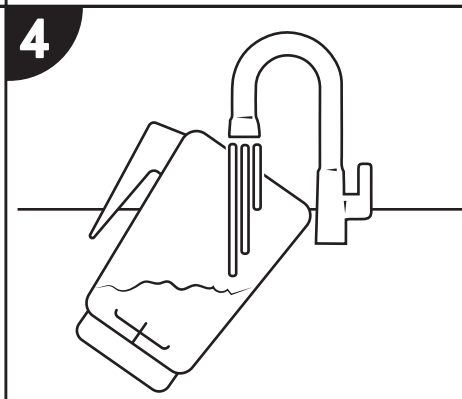
1. Add 1 cup (240ml) of hot water and a drop of liquid dish soap into the blender jar.



2. Place the blender lid tightly onto the jar.



3. Place the jar on the blender base, close the blender enclosure, then press and hold the pulse button for 5 seconds.



4. Rinse blender jar thoroughly.



5. Clean the base by simply wiping the base and interface with a disposable damp cloth.

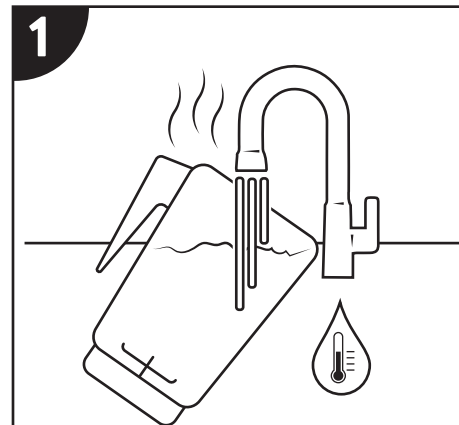
## CLEANING TIPS AND CAUTIONS

- Do not use stiff bristled brushes or abrasive cloths/pads to clean the blender base or jar as this will dull or scratch the surface.
- **NEVER** submerge the blender motor in water.
- Avoid submerging blender jars for more than 5 minutes as water penetration through the lower jar seals will reduce the life of the jar.
- After cleaning, we recommend the blender jar be stored upright.

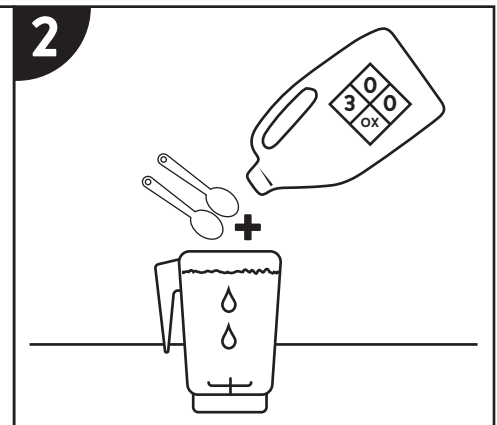
## BLENDER JAR IS DISHWASHER SAFE (TOP RACK ONLY)

- Extreme temperatures damage the lower seal of the jar.
- We recommend hand washing to prolong the life of the blender jar.
- We do not recommend the jar be used for temperatures above boiling (212°F, 100°C).

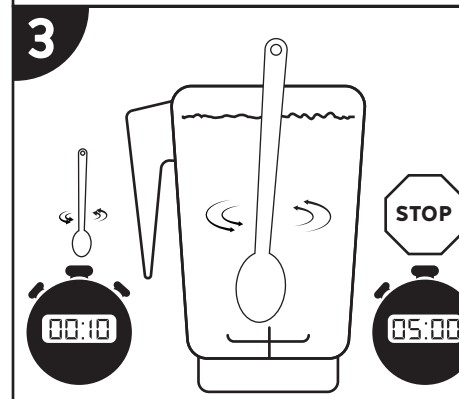
# END OF DAY SANITATION INSTRUCTIONS



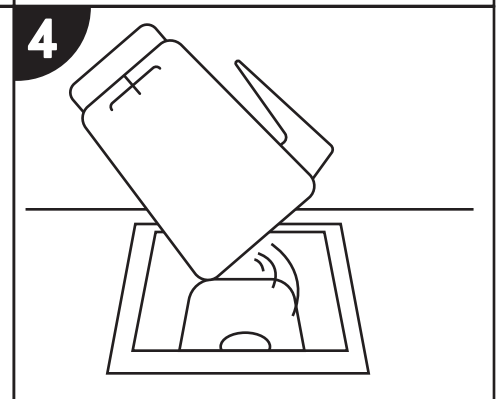
1. Fill the blender jar with hot water.



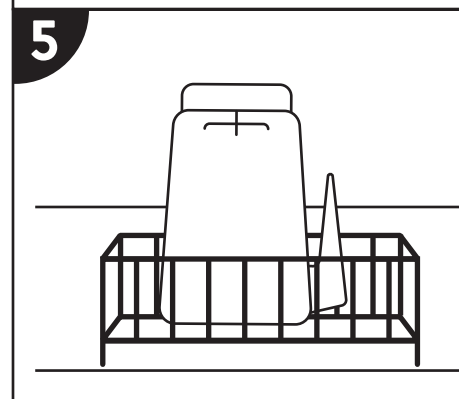
2. Add 1 or 2 teaspoons (5-10ml) of liquid chlorine bleach to the jar.



3. Stir for 10 seconds to mix water and bleach. Let mixture stand in blender jar for 5 minutes



4. Empty water/bleach mixture.



5. Turn jar upside down on dish rack until dry.

## CLEANING TIPS AND CAUTIONS

- Do not use stiff bristled brushes or abrasive cloths/pads to clean the blender base or jar as this will dull or scratch the surface.
- **NEVER** submerge the blender motor in water.
- Avoid submerging blender jars for more than 5 minutes as water penetration through the lower jar seals will reduce the life of the jar.
- After cleaning, we recommend the blender jar be stored upright.

## BLENDER JAR IS DISHWASHER SAFE (TOP RACK ONLY)

- Extreme temperatures damage the lower seal of the jar.
- We recommend hand washing to prolong the life of the blender jar.
- We do not recommend the jar be used for temperatures above boiling (212°F, 100°C).